



# C3

3U Active Air Cooler

**PRODUCT SPECIFICATIONS**

Specification Version: 10/09/2023

*(Specifications are subject to change without notice)*

## Model Number: C3

- Recommend for Intel® CPU as following
  - Intel® Granite Rapid AP (Socket LGA 7529)
- Active Air Cooler for 3U Server and Up

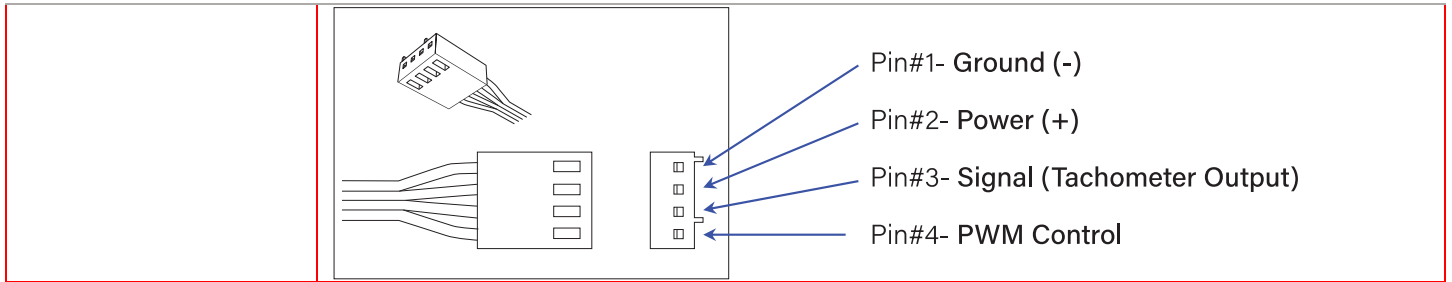
## Overall Specification

Dimension	140 x 97.8 x 107 mm
Weight	630 g
Fan	8038 Side-blow Fan with PWM function
Material	Aluminum Stacked-fin with Heat Pipes directly contact CPU
Mounting	Convenient Heat Sink screw captive mounting
Package Carrier	LGA 7529 Package carrier included
Thermal Grease	Shin-Etsu X23-8079-2 Pre-Printed
TDP	570W@40°C ambient

## Cooling Fan Specification

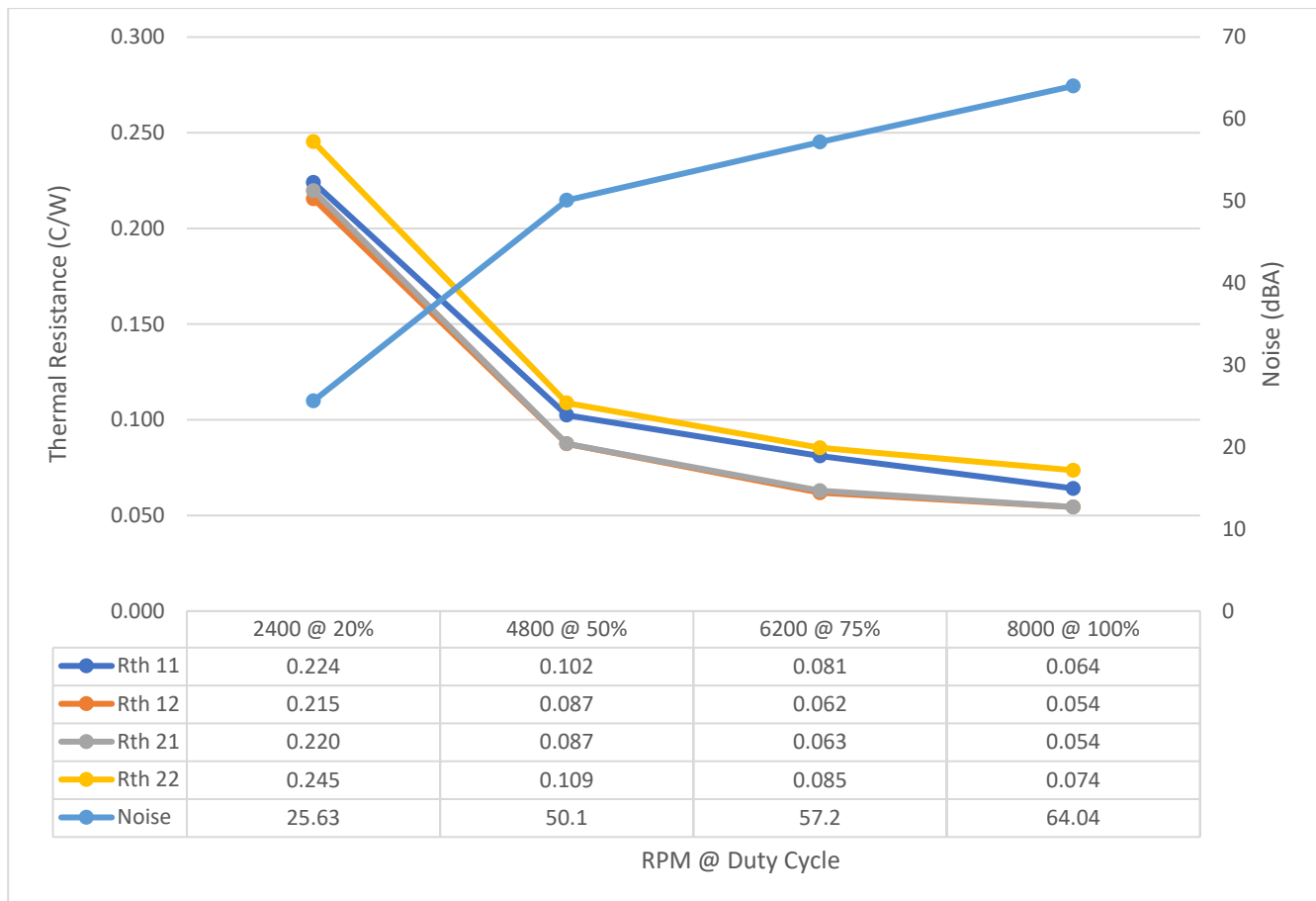
Model Number	DF128038BX-PWM
Dimension	80 x 80 x 38mm
Bearing	Double Ball
Rated Voltage	12V
Rated Speed	At Duty Cycle 0~20%: 2400± 200 RPM At Duty Cycle 50%: 4800± 10% RPM At Duty Cycle 100%: 8000±10% RPM
Input Power	At Duty Cycle 0~20%: 1.2 W At Duty Cycle 50%: 5.52 W At Duty Cycle 100%: 24.72 W
Maximum Airflow	At Duty Cycle 0~20%: 32.52 CFM At Duty Cycle 50%: 67.24 CFM At Duty Cycle 100%: 115.61 CFM
Rated Static Pressure	At Duty Cycle 0~20%: 3.45 mm-H2O At Duty Cycle 50%: 13.6 mm-H2O At Duty Cycle 100%: 38.3 mm-H2O
Acoustical Noise	At Duty Cycle 0~20%: 25.63 dBA At Duty Cycle 50%: 47.85 dBA At Duty Cycle 100%: 64.4 dBA
Lead Wire Pin Out	Pin#1- Black(-) Pin#2- Yellow(+) Pin#3- Green(Tachometer/ Signal Output) Pin#4- Blue (PWM)

### C3 | Socket LGA7529



## Performance Chart: Active Cooler C3 Thermal Resistance

### Active Cooler C3 Cooling Performance vs. RPM @ Duty Cycle



## Publication History:

10/09/2023: Initial Release.

*(Specifications are subject to change without notice)*

4

3

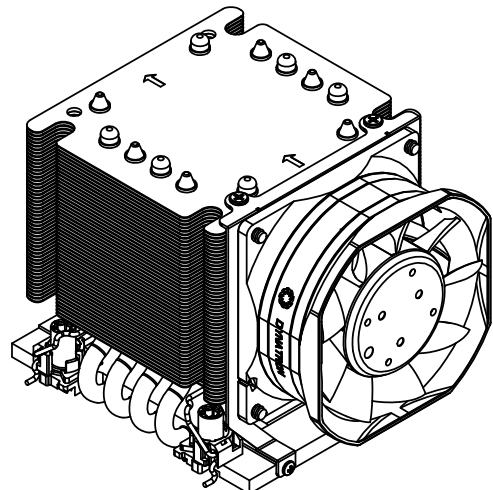
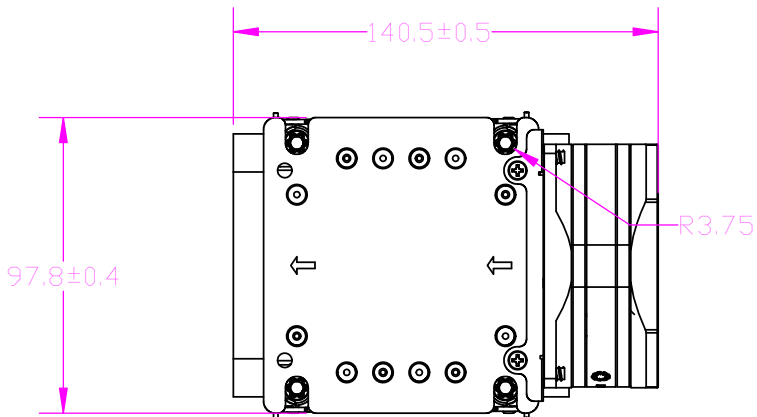
2

1

REV#	DESCRIPTION	CHECKER	DATE
0.0	INITIAL RELEASE	JUN	10/05/23

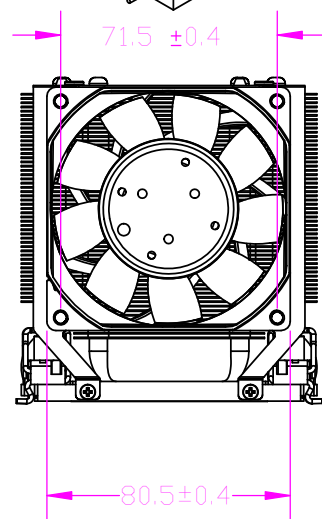
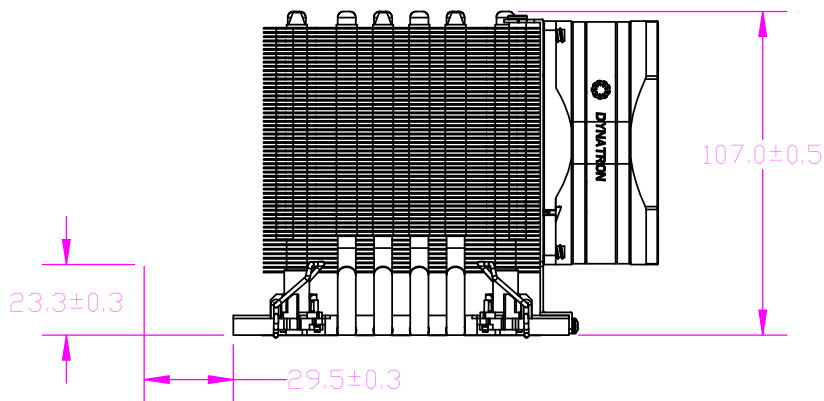
F

F



E

E

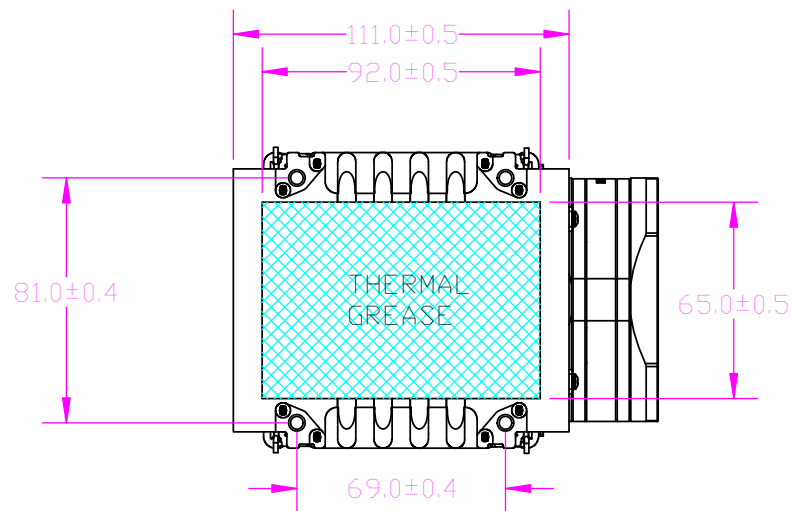


D

D

C

C



B

B

	NAME	DATE
DRAWN BY	JUN	10/5/2023
CHECKED BY	JUN	10/5/2023
ENG. APPROVED		
MFG. APPROVED		


**DYNATRON CORPORATION**  
 TOP MOTOR  
 TITLE:  
 3U AIR COOLER C3-P  
 OVERALL DIMENSION DRAWING

A

A

**CONFIDENTIAL DOCUMENT**  
 THIS DRAWING CONTAINS INFORMATION PROPRIETARY TO DYNATRON CORPORATION AND DYNAEON INDUSTRIAL CO., LTD. ANY REPRODUCTION, DISCLOSURE, OR USE OF THIS DRAWING IS EXPRESSLY PROHIBITED EXCEPT AS DYNATRON CORPORATION AND DYNAEON INDUSTRIAL CO., LTD. MAY OTHERWISE AGREE TO IN WRITING.

VIEW		DWG. No:	REV.
UNITS	MM	DYN-BD-C3-P	0.0

4

3

2

1

2

1

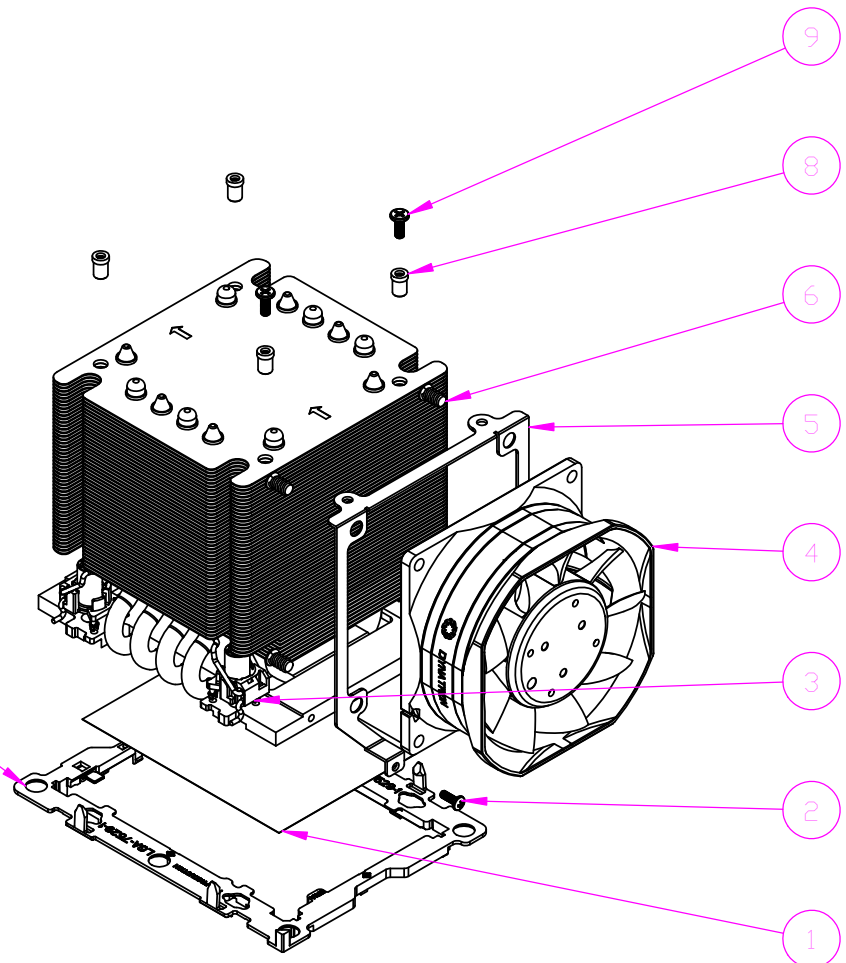
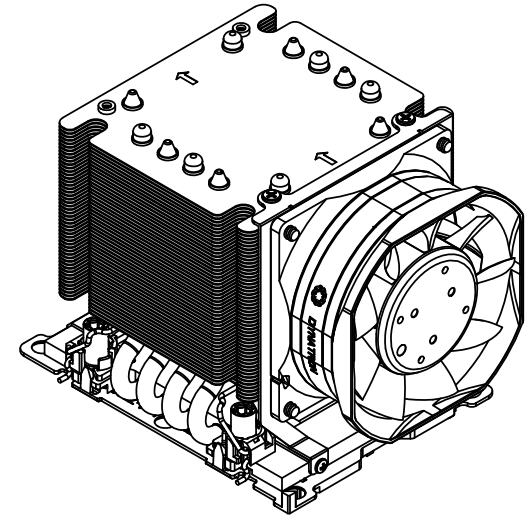
# CONFIDENTIAL DOCUMENT

THIS DRAWING CONTAINS INFORMATION PROPRIETARY TO DYNATRON CORPORATION AND DYNAEON INDUSTRIAL CO., LTD. ANY REPRODUCTION, DISCLOSURE, OR USE OF THIS DRAWING IS EXPRESSLY PROHIBITED EXCEPT AS DYNATRON CORPORATION AND DYNAEON INDUSTRIAL CO., LTD. MAY OTHERWISE AGREE TO IN WRITING.

REV#	DESCRIPTION	CHECKER	DATE
0.0	INITIAL RELEASE	JUN	10/06/23

B

B



10	PACKAGE CARRIER, LGA7529	PLASTIC	1
9	SCREW, BRACKET TO STUD, M3	STEEL	2
8	STUD, M3	STEEL	4
7	HEAT SINK	AL FIN, CU HEAT PIPES, AL BASE	1
6	SCREW, FAN TO BRACKET, SELF TAP	STEEL	4
5	FAN BRACKET	SPCC	1
4	FAN (8038-8000RPM)	PLASTIC	1
3	LGA7529 ANTI-TILT RETENTION KIT	STEEL WIRE, PLASTIC NUT	4
2	SCREW, BRACKET TO HS, M2.5	STEEL	2
1	THERMAL GREASE	SHIN-ETSU 7762	N/A
ITEM #	DESCRIPTION	MATERIAL	QTY.

A

A

	DATE	NAME	 <b>DYNATRON CORPORATION</b> TITLE: 3U ACTIVE COOLER C3 BOM & exploded Assembly Drawing
DRAWN	10/6/2023	JUN	
CHECKED	10/6/2023	JUN	
ENG.APPR.			
MFG.APPR.			
COMMENTS:			DWG. NO. DNY-EP-C3
			REV 0.0

NOTES:  
THE FIGURE IS FOR REFERENCE ONLY, AND NOT FOR SCALE

2

1